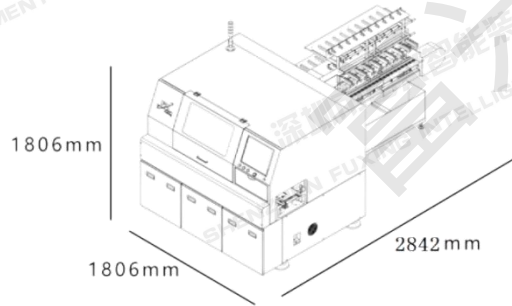
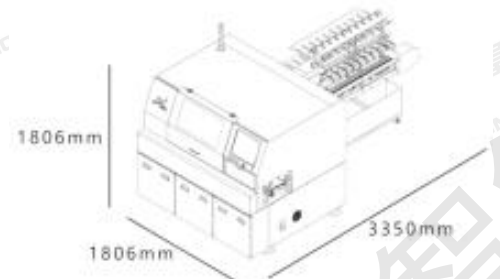


全自动卧式插件机 AKM

Axial combo inserter AKM



AKM含飞达10站  
Including 10 feeder station



AKM含飞达20站  
Including 20 feeder station

型号	Model	AKM (联体机)
理论速度	Theoretical speed	0.18秒/点 0.18sec/pcs
插入方向	Insertion angle	平行0°, 90°, 180°, 270° Parallel
元件种类	Components style	标准0.6mm线脚、0.4~0.8mm(可选配)、电容、晶体管、二极管、电阻、熔断丝等编带封装料及跳线 Standard 0.6mm, diameter 0.4-0.8mm (optional), capacitor, transistor, diode, resistor, fuse, and other tape packaging materials and jumpers
元件规格	Components specifications	元件本体长度: 3~16mm Component body length , 本体直径: 0.6~4mm Body diameter , 引线直径: 0.4~0.8mm Lead diameter
引线跨距	Lead span	双孔距5~20mm Double hole spacing
元件引线剪角长度	Component lead trimming length	1.2~2.2mm(可调) Adjustable
元件引线弯角角度	Component lead bending angle	5-45°(可调) Adjustable
基板尺寸	Substrate size	50*50mm~330*280mm
基板厚度	Substrate thickness	0.79~2.36mm (标准: 1.6mm) 0.79-2.36mm(Standard: 1.6mm)
线路板输送方式	Circuit board transportation mode	全自动: 左→右 (标准) 或右→左 (选配) Fully automatic: left right (standard) or right left (optional)
基板传送高度	Substrate conveying height	900±20mm
基板传送速度	Substrate transfer speed	3 sec/pcs
PCB上下元件可通过高度	Components pass through height on PCB	上12mm/下8mm 12mm above/8mm below
驱动系统	Driving system	AC伺服,AC马达 AC servo, AC motors
孔位校正方式	Hole position offset method	CCD影像视觉系统,多点MARK视觉校正 CCD Image visual systems, multi-point MARK visual correction
底座驱动方式	Base drive mode	伺服电机 Servo motor
供料器方式	Base drive mode	国产款 Domestic
编程方式	Programming method	离线/在线 (快速扫描编程功能) Offline/Online (Quick scan programming function)

数据输入方式	Data input methods	USB接口输入(EXCEL文档格式) USB input (EXCEL document-format)
Badmarks识别	Identification of defective PCB board	具有不良PCB板自动识别功能 Automatic recognition function for defective PCB boards
控制系统	Control system	Windows操作系统中英文界面、视窗平台、液晶显示 Windows operating system, Chinese&English interface, platform, LCD display
MES系统	MES system	无 Without this feature
使用电源/功率	Power requirement	220V,AC (单相) 50/60HZ , 1.5KW Single phase
使用气压/用气量	Use air pressure/gas	0.6MPA/0.3立方米/分钟 0.6 mpa / 0.3 m <sup>3</sup> / min
主机尺寸	Main machine size	L1806mm×W1456mm×H1806mm
料站尺寸	Feeder station size	L1386mm×W972mm×H1298mm (10站式分体料站) 10 feeder station
		L1895mm×W972mm×H1298mm (20站式分体料站) 20 feeder station
机器重量	Machine weight	含10站位约1500KG Approximately 1500kg (with 10 feeders)